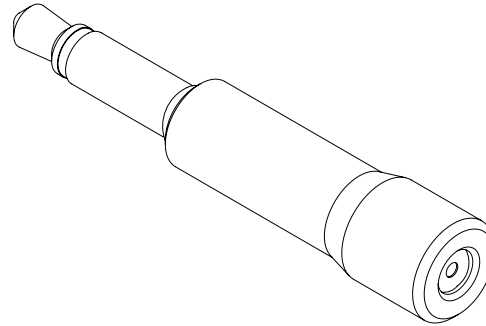


TECHNICAL INFORMATION

QUICK GUIDE



Transducer type	Condenser back-electret
Output impedance	2.2 k Ω
Directivity	Omnidirectional
Frequency response (@ ± 3 dB)	60 Hz to 20 kHz
SPL max	128 dBA
Current consumption	0.3 mA
Operating voltage	3 to 10 VDC

*Output frequency response is electronically filtered to better match the specific application.

PICKUPS

ELECTRODYNAMIC

S MIC M is a compact condenser microphone that has been specially developed for use with the MAGNETICO AG6 pickup. Designed to add an extra dimension to the MAGNETICO sound, S MIC M can be directly connected to the EXT-IN input.

Adjust the input gain of your S MIC M using the EXT potentiometer wheel. The sound will be added to that of the MAGNETICO pickup, enabling you to achieve the perfect blend required for each individual performance or recording.

The overall volume level from both pickups can be regulated using the VOL potentiometer.

Complete manual available at schertler.com

S MIC M